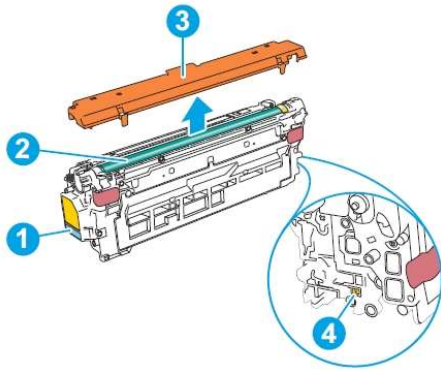


Figure : Toner-cartridge components



1. Handle
2. Imaging drum
3. Protective shield
4. Memory chip

CAUTION:

If toner gets on clothing, wipe it off by using a dry cloth and wash the clothes in cold water. Hot water sets toner into fabric.

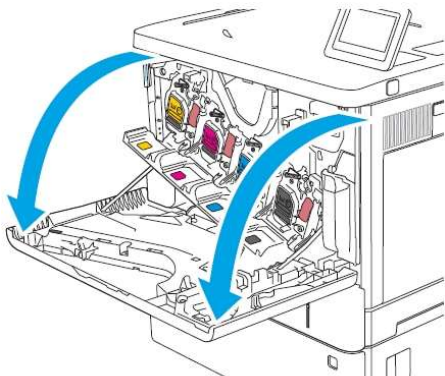
NOTE:

Information about recycling used toner cartridges is in the toner-cartridge box.

Remove and replace the cartridges

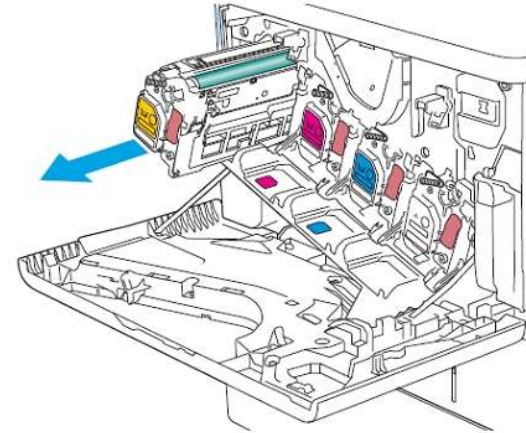
1. Open the front door.

Figure : Open the door



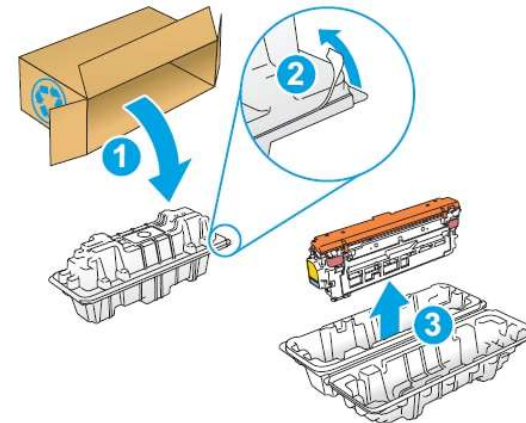
2. Grasp the handle of the used toner cartridge and pull out to remove it.

Figure : Remove the toner cartridge



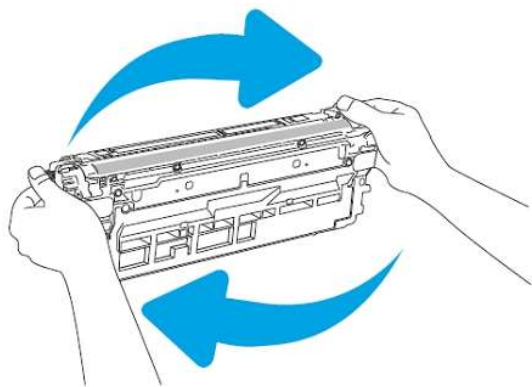
3. Remove the new toner cartridge from its protective shell by tearing off the plastic strip and opening the package. Save all packaging for recycling the used toner cartridge.

Figure : New toner cartridge



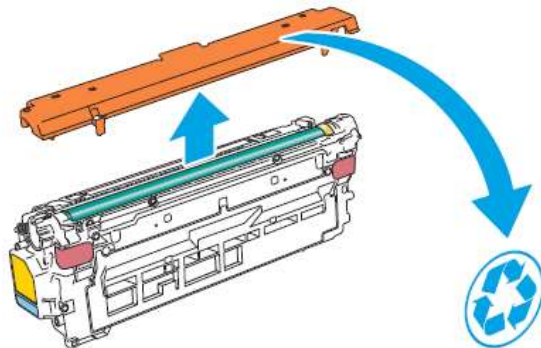
4. Hold both ends of the toner cartridge and rock it 5-6 times.

Figure : Rock the toner cartridge



5. Remove the protective shield from the toner cartridge.

Figure : Remove the protective shield



6. Support the toner cartridge underneath with one hand while holding the cartridge handle with the other. Align the toner cartridge with its slot on the shelf, and then insert the toner cartridge into the printer.

NOTE:

Avoid touching the green imaging drum. Fingerprints on the imaging drum can cause print defects.

Figure : Install the toner cartridge

